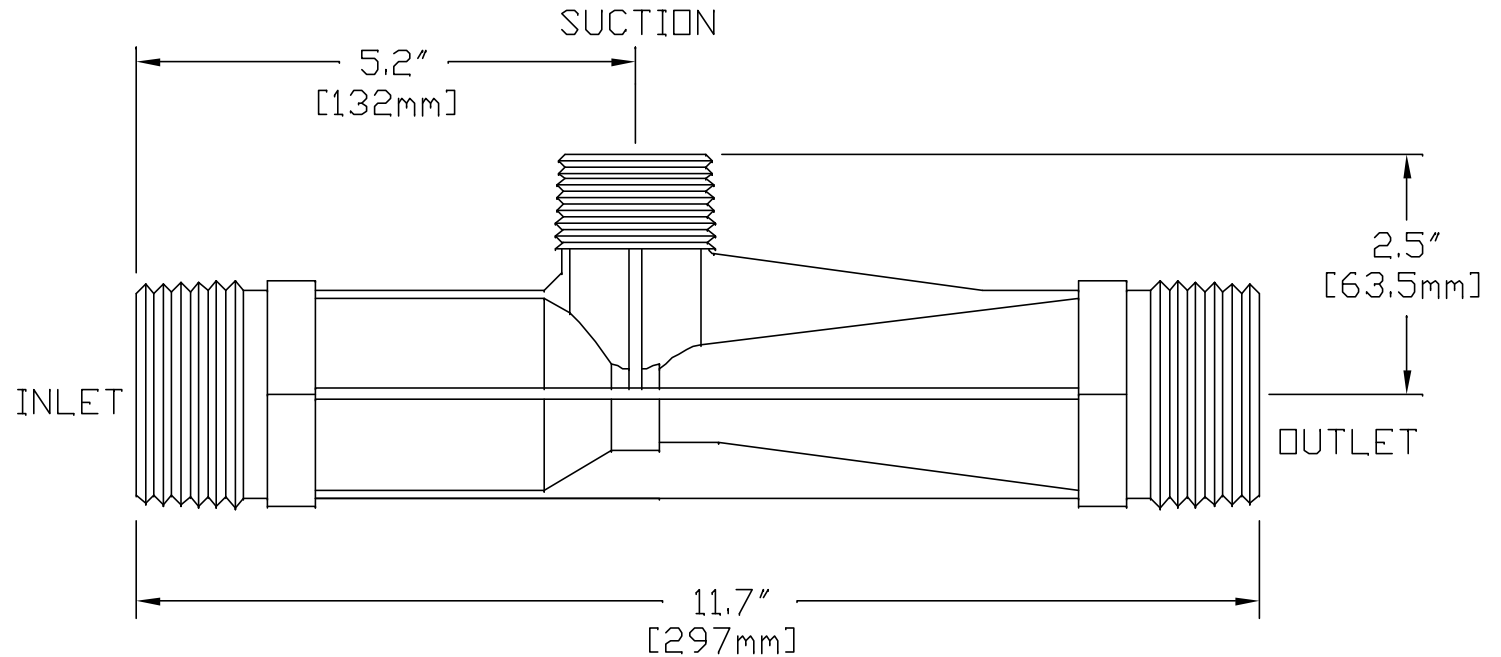


NOTES:

1. INLET AND OUTLET: 2" MNPT OR BSPT (ISO-R)
2. SUCTION PORT: 1.25" MNPT OR BSPT (ISO-R)
3. MATERIAL: GLASS REINFORCED POLYPROPYLENE OR PVDF (KYNAR)
4. MAXIMUM TEMPERATURE RATING:
 POLYPROPYLENE: 150 F. (65.5 C.)
 PVDF (KYNAR): 200 F. (93.3 C.)
5. MAXIMUM PRESSURE RATING AT 68 F. (20 C.)
 POLYPROPYLENE: 150 PSIG (10.3 BAR)
 PVDF (KYNAR): 200 PSIG (13.8 BAR)



Covered By United States Patent No. 5,863,128
 International Patents Pending



Mazzei

Mazzei Injector Company, LLC
 500 Rooster Drive, Bakersfield, CA 93307
 Tel: 661.363.6500 Fax: 661.363.7500

DATE	12-19-00	TITLE	
DRAWN BY	JRM	MODEL 2083-X INJECTOR	
REVIEWED BY	RST	NUMBER	SIZE
SCALE	NONE	JRM-23	REV.
MATERIALS: SEE NOTES		PAGE (1) OF (1)	